

2.7

Expulsion Fuses

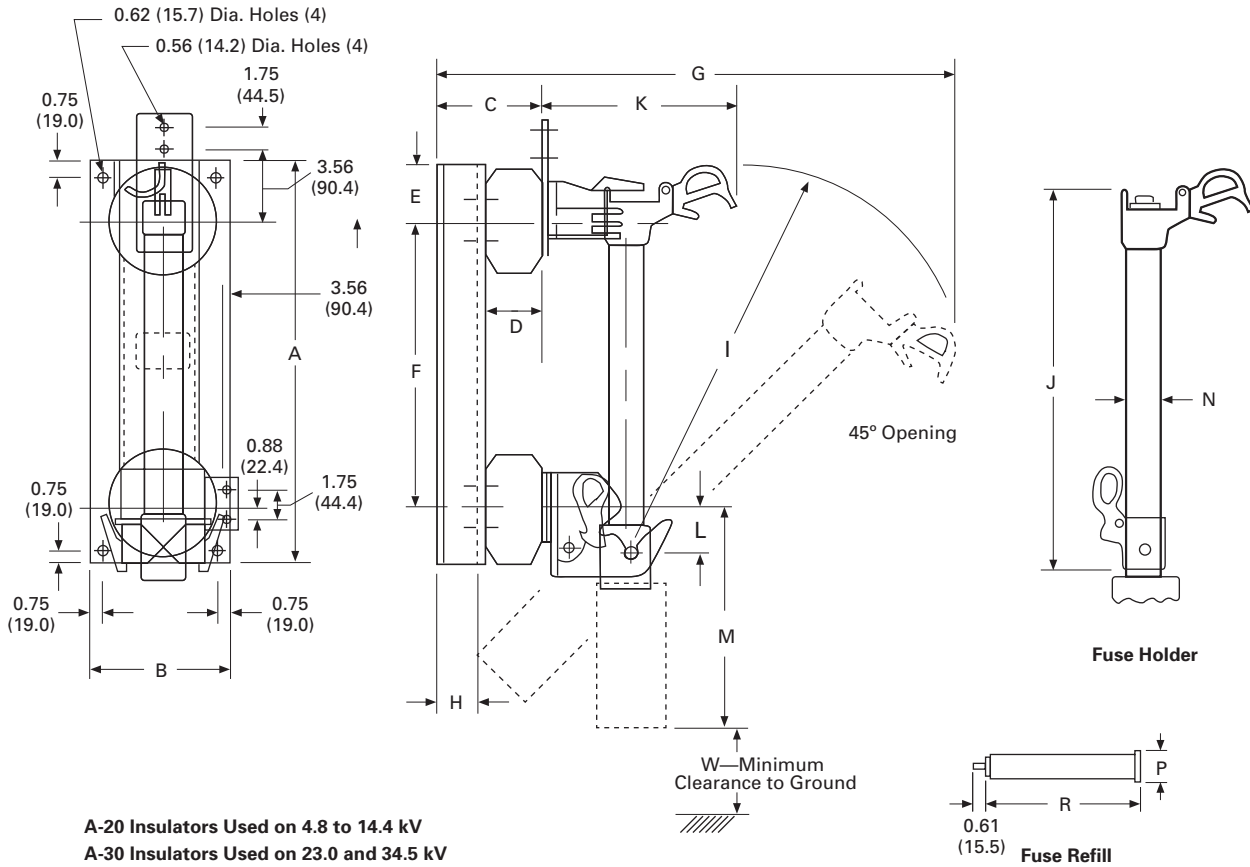
RBA/RDB Type Fuses (Including Superseded BA Fuses)

Dimensions

Approximate Dimensions in Inches (mm)

2

RBA Fuse Mountings—RBA200, RBA400 Disconnect Mounting—4.8 to 34.5 kV



RBA/RDB Type Fuses (Including Superseded BA Fuses)

2

Approximate Dimensions in Inches (mm)

RBA200, RBA400

Catalog Number	kV	BIL	A	B	C	D	E	F	G	H	I	J	K	L	M	N	P	R	W With Condenser	With Discharge	Recommended Phase Spacing ^①
5RBA2	60		22.62 (574.5)	7.00 (177.8)	7.50 (190.5)	3.50 (89.9)	5.87 (149.1)	14.25 (362.0)	27.19 (690.6)	3.34 (84.8)	18.69 (474.7)	18.81 (477.7)	9.25 (234.9)	1.56 (39.6)	10.12 (257.0)	1.64 (41.7)	1.50 (38.1)	7.50 (190.5)	3.00 (76.2)	7.50 (190.5)	11.50 (292.1)
8RBA2	75		22.62 (574.5)	7.00 (177.8)	10.00 (254.0)	6.00 (152.4)	5.87 (149.1)	14.25 (362.0)	29.69 (754.1)	6.34 (161.0)	18.69 (474.7)	18.81 (477.7)	9.25 (234.9)	1.56 (39.6)	10.12 (257.0)	1.64 (41.7)	1.50 (38.1)	7.50 (190.5)	4.00 (101.6)	8.50 (215.9)	13.00 (330.2)
14RBA2	95		22.62 (574.5)	7.00 (177.8)	10.00 (254.0)	6.00 (152.4)	2.62 (66.5)	17.62 (447.5)	32.12 (815.8)	6.34 (161.0)	22.06 (560.3)	22.19 (563.6)	9.25 (234.9)	1.56 (39.6)	10.12 (257.0)	1.64 (41.7)	1.50 (38.1)	8.75 (222.2)	6.00 (152.4)	11.50 (292.1)	14.50 (368.3)
15RBA2	110		22.62 (574.5)	7.00 (177.8)	11.50 (292.1)	7.50 (190.5)	2.62 (66.5)	17.62 (447.5)	33.62 (853.9)	7.84 (199.1)	22.06 (560.3)	22.19 (563.6)	9.25 (234.9)	1.56 (39.6)	10.12 (257.0)	1.64 (41.7)	1.50 (38.1)	8.75 (222.2)	6.00 (152.4)	11.50 (292.1)	16.00 (406.4)
25RBA2	150		33.88 (860.6)	7.00 (177.8)	12.00 (304.8)	10.50 (254.0)	2.50 (63.5)	22.25 (565.1)	37.69 (957.3)	11.71 (297.4)	26.69 (677.9)	26.81 (681.0)	9.25 (234.9)	1.56 (39.6)	10.12 (257.0)	1.64 (41.7)	1.50 (38.1)	10.50 (266.7)	8.50 (215.9)	15.00 (381.0)	20.00 (508.0)
38RBA2	150		33.88 (860.6)	7.00 (177.8)	12.00 (304.8)	10.50 (254.0)	2.50 (63.5)	29.25 (742.9)	42.62 (1082.5)	11.71 (297.4)	33.69 (855.7)	33.81 (858.7)	9.25 (234.9)	1.56 (39.6)	10.12 (257.0)	1.64 (41.7)	1.50 (38.1)	13.12 (333.2)	12.00 (304.8)	19.50 (495.3)	25.00 (635.0)
5RBA4	60		22.25 (565.1)	7.00 (177.8)	7.50 (190.5)	3.50 (89.9)	5.94 (150.9)	13.81 (350.7)	27.40 (696.0)	3.03 (77.0)	19.69 (500.1)	20.00 (508.0)	9.25 (234.9)	2.63 (39.6)	11.75 (298.4)	2.17 (55.1)	2.20 (55.9)	7.62 (193.5)	3.00 (76.2)	7.50 (190.5)	11.75 (292.1)
8RBA4	75		22.25 (565.1)	7.00 (177.8)	10.00 (254.0)	6.00 (152.4)	5.94 (150.9)	13.81 (350.7)	29.90 (759.5)	5.53 (140.5)	19.69 (500.1)	20.00 (508.0)	9.25 (234.9)	2.63 (39.6)	11.75 (298.4)	2.17 (55.1)	2.20 (55.9)	7.62 (193.5)	4.00 (101.6)	8.50 (215.9)	13.25 (336.5)
14RBA4	95		22.25 (565.1)	7.00 (177.8)	10.00 (254.0)	6.00 (152.4)	2.56 (65.0)	17.19 (436.6)	32.81 (833.4)	5.53 (140.5)	23.69 (601.7)	23.38 (593.9)	9.25 (234.9)	2.63 (39.6)	11.75 (298.4)	2.17 (55.1)	2.20 (55.9)	8.88 (225.6)	6.00 (152.4)	11.50 (292.1)	14.75 (374.6)
15RBA4	110		22.25 (565.1)	7.00 (177.8)	11.50 (292.1)	7.50 (190.5)	2.56 (65.0)	17.19 (436.6)	34.31 (871.5)	7.03 (178.6)	23.69 (601.7)	23.38 (593.9)	9.25 (234.9)	2.63 (39.6)	11.75 (298.4)	2.17 (55.1)	2.20 (55.9)	8.88 (225.6)	6.00 (152.4)	11.50 (292.1)	16.25 (412.7)
25RBA4	150		33.81 (858.8)	8.00 (203.2)	13.50 (342.9)	10.50 (254.0)	2.50 (63.5)	21.81 (554.0)	39.56 (1004.8)	9.03 (229.4)	27.69 (703.3)	28.00 (711.2)	9.25 (234.9)	2.63 (39.6)	11.75 (298.4)	2.17 (55.1)	2.20 (55.9)	11.38 (289.1)	8.50 (215.9)	15.00 (381.0)	20.25 (514.4)
38RBA4	150		33.81 (858.8)	8.00 (203.2)	13.50 (342.9)	10.50 (254.0)	2.50 (63.5)	28.81 (731.8)	44.50 (1130.3)	9.03 (229.4)	27.69 (703.3)	35.00 (889.0)	9.25 (234.9)	2.63 (39.6)	11.75 (298.4)	2.17 (55.1)	2.20 (55.9)	13.62 (356.0)	12.00 (304.8)	19.50 (495.3)	25.25 (641.4)

Note

① Phase-to-phase center spacing, without barriers.