

2.7

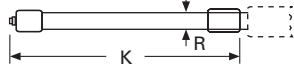
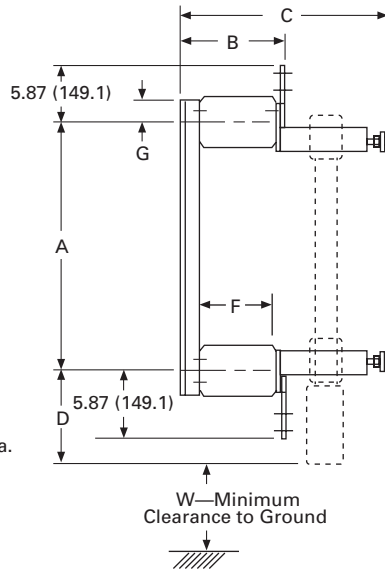
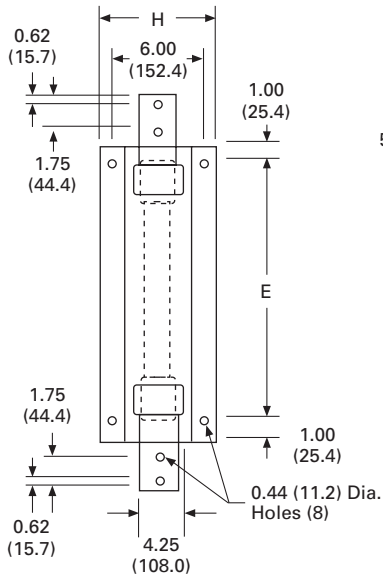
Expulsion Fuses

RBA/RDB Type Fuses (Including Superseded BA Fuses)

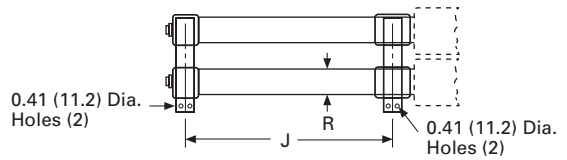
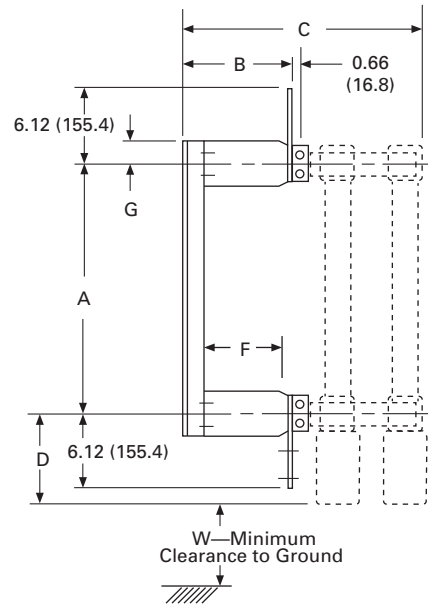
Approximate Dimensions in Inches (mm)

2

RBA200, RBA400 and RBA800 (Piggyback Type)—Non-Disconnect Mounting 4.8 to 34.5 kV



Fuse Holder RBA200, RBA400



Fuse Holder RBA800

RBA/RDB Type Fuses (Including Superseded BA Fuses)

Approximate Dimensions in Inches (mm)

RBA200, RBA400 and RBA800 (Piggyback Type)

Catalog Number	kV BIL	A	B	C	D	E	F	G	H	J	K	R	W With Condenser	With Discharge	Recommended Phase Spacing ^①
5RBA2	60	15.62 (396.7)	4.62 (117.3)	11.43 (290.3)	8.62 (218.9)	15.62 (396.7)	7.50 (190.5)	1.32 (33.5)	7.50 (190.5)	—	18.25 (463.5)	1.64 (41.7)	3.00 (76.2)	7.50 (190.5)	11.16 (283.5)
8RBA2	75	15.62 (396.7)	7.12 (180.8)	13.93 (353.8)	8.62 (218.9)	15.62 (396.7)	7.50 (190.5)	1.32 (33.5)	7.50 (190.5)	—	18.25 (463.5)	1.64 (41.7)	4.00 (101.6)	8.50 (215.9)	12.56 (319.0)
14RBA2	95	19.00 (482.6)	7.12 (180.8)	13.93 (353.8)	8.62 (218.9)	19.00 (482.6)	7.50 (190.5)	1.32 (33.5)	7.50 (190.5)	—	21.63 (549.4)	1.64 (41.7)	6.00 (152.4)	11.50 (292.1)	13.06 (331.7)
15RBA2	110	19.00 (482.6)	8.62 (218.9)	15.43 (391.9)	8.62 (218.9)	19.00 (482.6)	7.50 (190.5)	1.32 (33.5)	7.50 (190.5)	—	21.63 (549.4)	1.64 (41.7)	6.00 (152.4)	11.50 (292.1)	15.56 (395.2)
25RBA2	150	26.43 (671.3)	12.12 (307.8)	18.93 (480.8)	7.25 (184.1)	29.43 (747.5)	8.50 (215.9)	2.50 (63.5)	8.50 (215.9)	—	26.25 (666.7)	1.64 (41.7)	8.50 (215.9)	15.00 (381.0)	19.56 (496.8)
38RBA2	150	33.43 (849.1)	12.12 (307.8)	18.93 (480.8)	7.25 (184.1)	36.43 (925.3)	8.50 (215.9)	2.50 (63.5)	8.50 (215.9)	—	33.25 (844.5)	1.64 (41.7)	12.00 (304.8)	19.50 (495.3)	24.56 (623.8)
5RBA4	60	16.56 (420.6)	4.62 (117.3)	12.31 (312.7)	8.75 (222.2)	16.56 (420.6)	7.50 (190.5)	1.32 (33.5)	7.50 (190.5)	—	19.52 (495.8)	2.17 (55.1)	3.00 (76.2)	7.50 (190.5)	11.16 (283.5)
8RBA4	75	16.56 (420.6)	7.12 (180.8)	14.81 (376.2)	8.75 (222.2)	16.56 (420.6)	7.50 (190.5)	1.32 (33.5)	7.50 (190.5)	—	19.52 (495.8)	2.17 (55.1)	4.00 (101.6)	8.50 (215.9)	12.56 (319.0)
14RBA4	95	19.94 (506.5)	7.12 (180.8)	14.81 (376.2)	8.75 (222.2)	19.94 (506.5)	7.50 (190.5)	1.32 (33.5)	7.50 (190.5)	—	22.90 (581.7)	2.17 (55.1)	6.00 (152.4)	11.50 (292.1)	13.06 (331.7)
15RBA4	110	19.94 (506.5)	8.62 (218.9)	16.31 (414.3)	8.75 (222.2)	19.94 (506.5)	7.50 (190.5)	2.50 (63.5)	7.50 (190.5)	—	22.90 (581.7)	2.17 (55.1)	6.00 (152.4)	11.50 (292.1)	15.56 (395.2)
25RBA4	150	27.37 (695.2)	12.12 (307.8)	19.81 (503.2)	7.37 (187.2)	30.37 (771.4)	8.50 (215.9)	1.32 (33.5)	8.50 (215.9)	—	22.90 (581.7)	2.17 (55.1)	8.50 (215.9)	15.00 (381.0)	19.56 (496.8)
38RBA4	150	34.37 (873.0)	12.12 (307.8)	19.81 (503.2)	7.37 (187.2)	37.37 (949.2)	8.50 (215.9)	2.50 (63.5)	8.50 (215.9)	—	34.52 (876.8)	2.17 (55.1)	12.00 (304.8)	19.50 (495.3)	24.56 (623.8)
5RBA8	60	16.31 (414.3)	4.50 (114.3)	12.85 (326.4)	9.31 (236.5)	17.56 (446.0)	3.50 (88.9)	1.62 (41.1)	3.50 (88.9)	16.31 (414.3)	—	2.17 (55.1)	3.00 (76.2)	7.50 (190.5)	11.00 (279.4)
8RBA8	75	16.31 (414.3)	7.00 (177.8)	15.35 (389.9)	9.31 (236.5)	17.56 (446.0)	6.00 (152.4)	1.62 (41.1)	6.00 (152.4)	16.31 (414.3)	—	2.17 (55.1)	4.00 (101.6)	8.50 (215.9)	12.50 (317.5)
14RBA8	95	19.81 (503.2)	7.00 (177.8)	15.35 (389.9)	9.31 (236.5)	21.06 (534.9)	6.00 (152.4)	1.62 (41.1)	6.00 (152.4)	19.81 (503.2)	—	2.17 (55.1)	6.00 (152.4)	11.50 (292.1)	14.00 (355.6)
15RBA8	110	19.81 (503.2)	8.50 (215.9)	16.85 (428.0)	9.31 (236.5)	21.06 (534.9)	7.50 (190.5)	1.62 (41.1)	7.50 (190.5)	19.81 (503.2)	—	2.17 (55.1)	6.00 (152.4)	11.50 (292.1)	15.50 (393.)
25RBA8	150	24.50 (622.3)	11.50 (292.1)	19.85 (504.2)	9.31 (236.5)	27.50 (698.5)	10.50 (266.7)	2.50 (63.5)	10.50 (266.7)	24.50 (622.3)	—	2.17 (55.1)	6.00 (152.4)	15.00 (381.0)	19.50 (495.3)
38RBA8	150	31.50 (800.1)	11.50 (292.1)	19.85 (504.2)	9.31 (236.5)	34.50 (876.3)	10.50 (266.7)	2.50 (63.5)	10.50 (266.7)	31.50 (800.0)	—	2.17 (55.1)	12.00 (304.8)	19.50 (495.3)	24.50 (622.3)

Note

① Phase-to-phase center spacing, without barriers.